

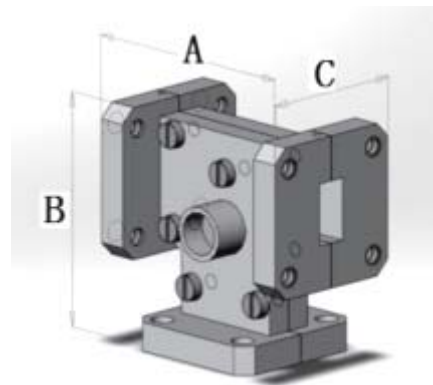
Circulator Specifications

Dolph Microwave offers a standard product line of waveguide circulator ranging from L-band, S-band.....E-band, U-band. Using standard waveguide flange, the product covers a wide frequency band and complete categories.

For more information feel free to call us and discuss your needs with one of our sales engineers.

● General Circulator Specifications

Waveguide circulator product transmission size is limited by the operating bandwidth and performance. The wider the operating bandwidth, the larger the product transmission direction size.



Typical Specifications

Freq Band	Bandwidth	Forward Loss (dB)	Reverse Loss (dB)	VSWR	Ave. Power
L	5%	0.20	23	1.15	2KW
	10%	0.25	21	1.17	
	20%	0.30	20	1.20	
S	5%	0.20	23	1.15	1KW
	10%	0.25	21	1.17	
	20%	0.30	20	1.20	
C	5%	0.20	23	1.15	500W
	10%	0.25	21	1.17	
	20%	0.30	20	1.20	
X	10%	0.20	23	1.15	300W
	20%	0.25	20	1.20	
Ku	10%	0.20	23	1.15	120W
	20%	0.25	20	1.20	
K	10%	0.20	23	1.15	100W
	20%	0.25	20	1.20	
Ka	5%	0.25	23	1.15	50W
	10%	0.30	20	1.20	
V	10%	0.60	17	1.35	2W
U	5%	0.60	17	1.35	2W

E	5%	0.60	17	1.35	2W
---	----	------	----	------	----

Product Specifications

Model No	Freq Range (GHz)	WG Type	Forward Loss (dB)	Reverse Loss (dB)	VSWR	Ref. Power	Size
DH-HBG9069	0.9-0.93	BJ9	0.30	20	1.2	75KW	665*550*215
DH-HBG9068	1.13-1.73	BJ14	0.30	20	1.25	250W	360*360*138.1
DH-HBG9048	2.015-2.13	BJ22	0.20	25	1.12	20KW	300*260*114.6
DH-HBG9075	4.3-5.1	BJ48	0.20	20	1.20	500W	114*114*63.5
DH-HBG9040	5.25-5.75	BJ58	0.30	20	1.2	3KW	81*62*90
DH-HBG9078	7.7-7.8	BJ70	0.25	20	1.2	600W	60*60*47.8
DH-HBZ9003	8.6-9.6	BJ100	0.25	20	1.25	300W	50.8*50.8*41.4
DH-HBG9067	9-9.5	BJ100	0.30	20	1.2	250W	41.4*41.4*50
DH-HBG9066	9-10.2	BJ100	0.20	20	1.2	900W	80*80*60
DH-HBP9014	15-18	BJ180	0.30	18	1.2	150W	38*48*30.2
DH-HBP9033	19-22.9	BJ180	0.30	20	1.2	100W	35*24*16
DH-HBG9069	25.5-26	BJ320	0.20	25	1.15	40W	23*26.9*19.0
DH-HBG9063	29.5-30	BJ320	0.20	25	1.13	40W	25*47*19.1
DH-HBG9053	30-36	BJ320	0.25	23	1.2	100W	31*25*19
DH-HBP9038	34-36	BJ320	0.25	20	1.2	40W	19*23*19.1
DH-HBH9018A	56.5-63.5	BJ620	0.70	17	1.35	2W	43*39.5*12.5
DH-HBH9019	91.5-93.5	BJ900	0.60	18	1.35	2W	8.8*12*22
DH-HBH9020	92-96	BJ900	0.60	18	1.35	2W	20*26*13