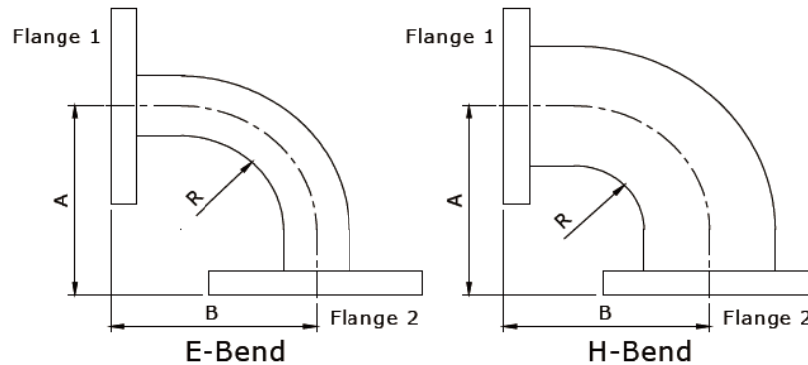
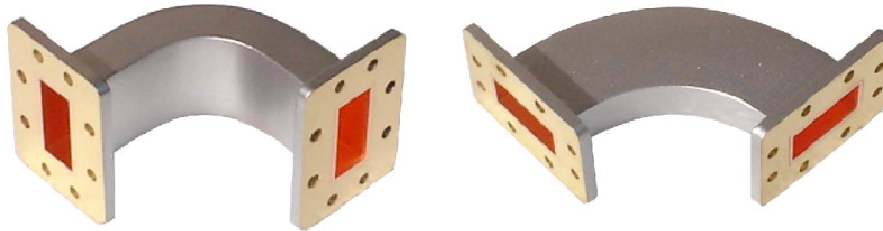


Waveguide Bend

Dolph Microwave offers a standard product line of E-bends and H-bends covering waveguide sizes WR10 thru WR430. Multi-degrees, additional sizes, configurations and combinations are available on request.



● Specifications

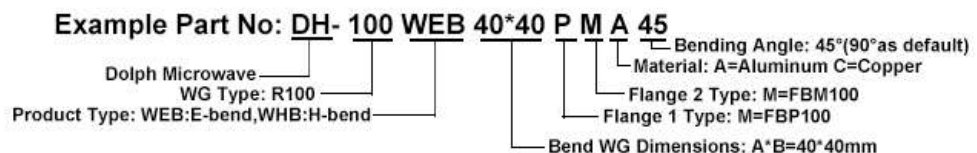
Model No*	Freq Range (GHz)	VSWR (Max)	Std Dimensions A×B×R (mm)**	WG Type		Flange	Material
				IEC	EIA		
DH-22WEB...	1.72-2.61	1.15	190×190×95	R22	WR430	FDP/FDM	Al/Cu
DH-22WHB...	1.72-2.61	1.15	250×250×152	R22	WR430	FDP/FDM	Al/Cu
DH-26WEB...	2.17-3.30	1.15	100×100×40	R26	WR340	FDP/FDM	Al/Cu
DH-26WHB...	2.17-3.30	1.15	180×180×100	R26	WR340	FDP/FDM	Al/Cu
DH-32WEB...	2.60-3.95	1.10	100×100×40	R32	WR284	FDP/FDM	Al/Cu
DH-32WHB...	2.60-3.95	1.10	160×160×100	R32	WR284	FDP/FDM	Al/Cu
DH-40WEB...	3.22-4.90	1.10	80×80×40	R40	WR229	FDP/FDM	Al/Cu
DH-40WHB...	3.22-4.90	1.10	120×120×78	R40	WR229	FDP/FDM	Al/Cu
DH-48WEB...	3.94-5.99	1.10	80×80×40	R48	WR187	FDP/FDM	Al/Cu
DH-48WHB...	3.94-5.99	1.10	80×80×40	R48	WR187	FDP/FDM	Al/Cu
DH-58WEB...	4.64-7.05	1.10	80×80×40	R58	WR159	FDP/FDM	Al/Cu
DH-58WHB...	4.64-7.05	1.10	80×80×40	R58	WR159	FDP/FDM	Al/Cu

DH-70WEB...	5.38-8.17	1.10	60×60×30	R70	WR137	FDP/FDM	Al/Cu
DH-70WHB...	5.38-8.17	1.10	80×80×50	R70	WR137	FDP/FDM	Al/Cu
DH-84WEB...	6.57-9.99	1.10	50×50×25	R84	WR112	FBP/FBM/FBE	Al/Cu
DH-84WHB...	6.57-9.99	1.10	60×60×35	R84	WR112	FBP/FBM/FBE	Al/Cu
DH-100WEB...	8.20-12.40	1.10	40×40×20	R100	WR90	FBP/FBM/FBE	Al/Cu
DH-100WHB...	8.20-12.40	1.10	55×55×35	R100	WR90	FBP/FBM/FBE	Al/Cu
DH-120WEB...	9.84-15.0	1.10	40×40×20	R120	WR75	FBP/FBM/FBE	Al/Cu
DH-120WHB...	9.84-15.0	1.10	45×45×30	R120	WR75	FBP/FBM/FBE	Al/Cu
DH-140WEB...	11.9-18.0	1.10	40×40×20	R140	WR62	FBP/FBM/FBE	Al/Cu
DH-140WHB...	11.9-18.0	1.10	40×40×25	R140	WR62	FBP/FBM/FBE	Al/Cu
DH-180WEB...	14.5-22.0	1.10	30×30×15	R180	WR51	FBP/FBM/FBE	Al/Cu
DH-180WHB...	14.5-22.0	1.10	35×35×20	R180	WR51	FBP/FBM/FBE	Al/Cu
DH-220WEB...	17.6-26.7	1.15	30×30×15	R220	WR42	FBP/FBM/FBE	Al/Cu
DH-220WHB...	17.6-26.7	1.15	35×35×20	R220	WR42	FBP/FBM/FBE	Al/Cu
DH-260WEB...	21.7-33.0	1.15	30×30×15	R260	WR34	FBP/FBM/FBE	Al/Cu
DH-260WHB...	21.7-33.0	1.15	35×35×20	R260	WR34	FBP/FBM/FBE	Al/Cu
DH-320WEB...	26.3-40.0	1.15	25×25×10	R320	WR28	FBP/FBM/FBE	Al/Cu
DH-320WHB...	26.3-40.0	1.15	30×30×15	R320	WR28	FBP/FBM/FBE	Al/Cu
DH-400WEB...	32.9-50.1	1.20	25×25×10	R400	WR22	FUGP	Cu
DH-400WHB...	32.9-50.1	1.20	20×20×10	R400	WR22	FUGP	Cu
DH-500WEB...	39.2-59.6	1.20	25×25×10	R500	WR19	FUGP	Cu
DH-500WHB...	39.2-59.6	1.20	25×25×10	R500	WR19	FUGP	Cu
DH-620WEB...	49.8-75.8	1.20	20×20×10	R620	WR15	FUGP	Cu
DH-620WHB...	49.8-75.8	1.20	25×25×10	R620	WR15	FUGP	Cu
DH-740WEB...	60.5-91.9	1.20	20×20×10	R740	WR12	FUGP	Cu
DH-740WHB...	60.5-91.9	1.20	25×25×10	R740	WR12	FUGP	Cu
DH-900WEB...	73.8-100	1.20	20×20×10	R900	WR10	FUGP	Cu
DH-900WHB...	73.8-100	1.20	25×25×10	R900	WR10	FUGP	Cu

*Indicates Model Number. See Ordering Information for complete part number.

**Legs (A,B) available in other sizes. Consult sales engineer for more information.

● Ordering Information



- Flange type: Multiple types available - see Dolph Microwave Flanges page.
- Finish: Corrosion protection plus black top coat.
- Bends other than 90° available on request