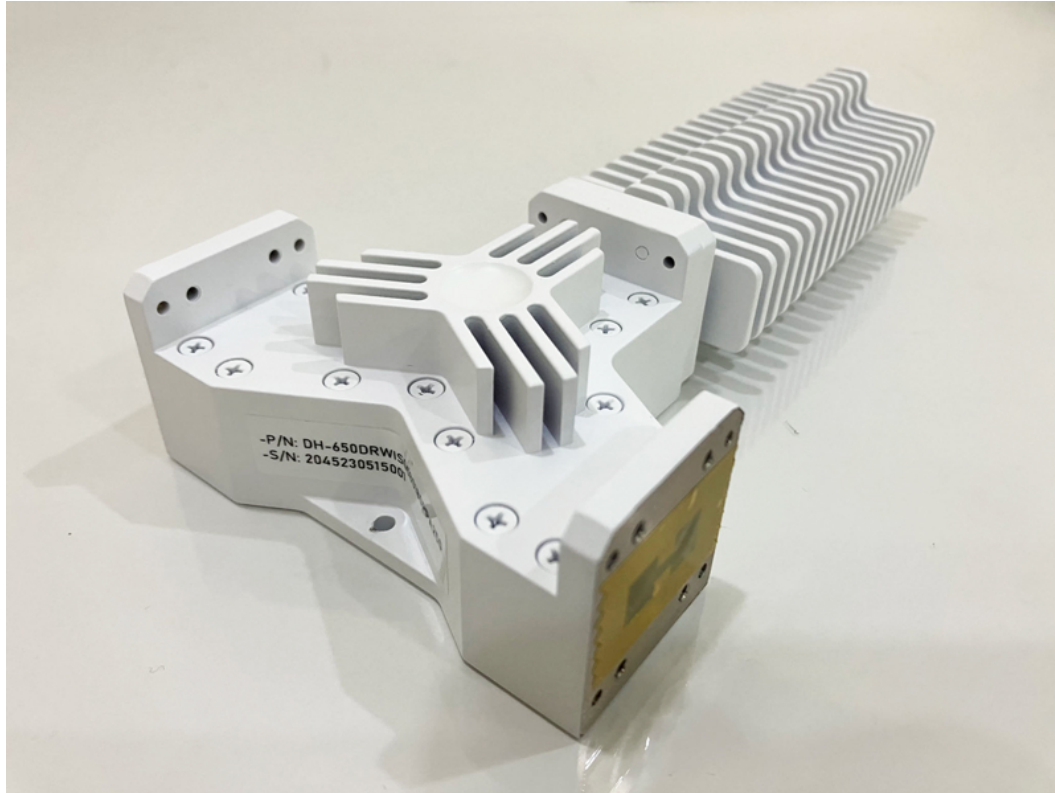


Double-Ridge Waveguide Isolator

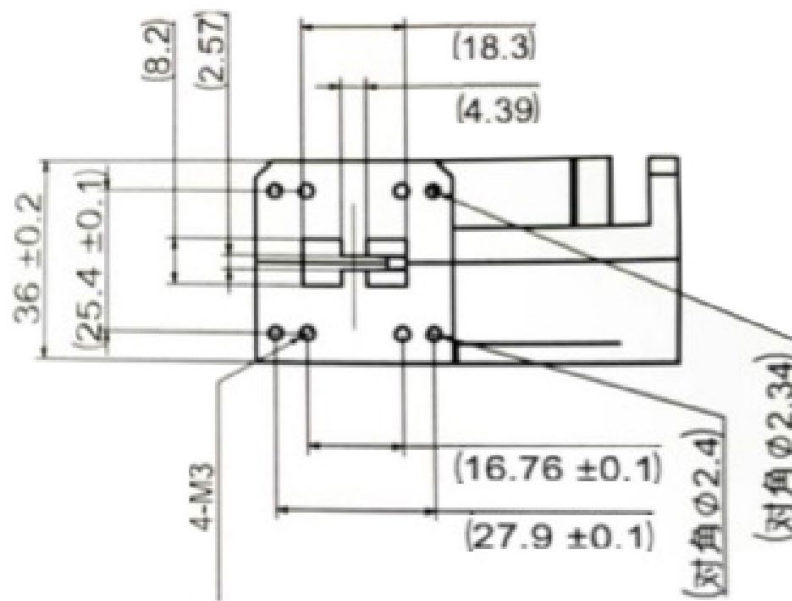
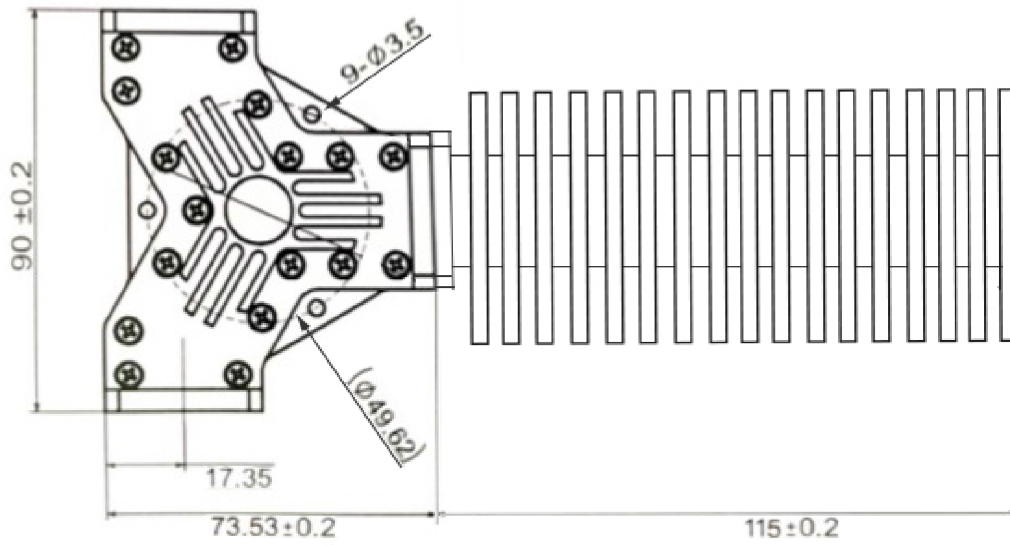
Dolph Microwave offers a standard product line of waveguide isolators ranging from WR70 to WR 900. For more information feel free to call us and discuss your needs with one of our sales engineers.



WRD650 Double-Ridge Waveguide Isolator

Model	DH-650DRWIS008018OPPA250V2
Frequency Range	8.0~18.0 GHz
VSWR	$\leq 1.50:1$
Insertion loss	≤ 0.60 dB
Isolation	≥ 15 dB
Forward Power	250 W, CW.
Reverse Power	200 W, CW.
Waveguide type	WRD650
Flange type	FPWRD650D28/ FMWRD650D28
Material	Alloyed Aluminum
Finish	Chromate conversion, Anticorrosion white paint
Temperature range	-20°C ~ +50°C

Outline Drawing *mm



- Type performance

