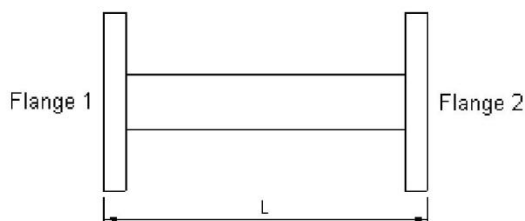


Waveguide Attenuator

Dolph Microwave offers a series of rectangular waveguide attenuators. Typical Attenuation values are 3dB, 6dB, 10dB, 20dB and 30dB (other attenuation values available, consult sales engineers for details). The assembly construction includes a precision element for optimum electrical performance, but note that Attenuation vs. Frequency can vary greatly depending on the attenuation at a given frequency. Waveguide Fixed Attenuators with normal and high power units are also available. For more information feel free to call us and discuss your needs with one of our sales engineers.

➤ Waveguide Fixed Attenuator



● Specifications

Model No*	Freq Range (GHz)	VSWR (Max)	Power (W)	Attenuation** (dB)	WG Type		Flange	Material
					IEC	EIA		
DH-14WFA...	1.13-1.73	1.20	2	3/6/10/20/30	R14	WR650	FDP/FDM	Al
DH-18WFA...	1.45-2.20	1.20	2	3/6/10/20/30	R18	WR510	FDP/FDM	Al
DH-22WFA...	1.72-2.61	1.20	2	3/6/10/20/30	R22	WR430	FDP/FDM	Al/Cu
DH-26WFA...	2.17-3.30	1.20	2	3/6/10/20/30	R26	WR340	FDP/FDM	Al/Cu
DH-32WFA...	2.60-3.95	1.15	2	3/6/10/20/30	R32	WR284	FDP/FDM	Al/Cu
DH-40WFA...	3.22-4.90	1.15	2	3/6/10/20/30	R40	WR229	FDP/FDM	Al/Cu
DH-48WFA...	3.94-5.99	1.15	2	3/6/10/20/30	R48	WR187	FDP/FDM	Al/Cu
DH-58WFA...	4.64-7.05	1.15	2	3/6/10/20/30	R58	WR159	FDP/FDM	Al/Cu
DH-70WFA...	5.38-8.17	1.15	2	3/6/10/20/30	R70	WR137	FDP/FDM	Al/Cu
DH-84WFA...	6.57-9.99	1.15	2	3/6/10/20/30	R84	WR112	FBP/FBM/FB	Al/Cu
DH-100WFA	8.20-12.40	1.15	2	3/6/10/20/30	R100	WR90	FBP/FBM/FB	Al/Cu
DH-120WFA	9.84-15.0	1.15	2	3/6/10/20/30	R120	WR75	FBP/FBM/FB	Al/Cu

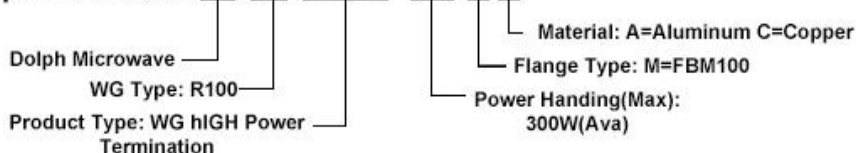
DH-140WFA	11.9-18.0	1.15	2	3/6/10/20/30	R140	WR62	FBP/FBM/FB	Al/Cu
DH-180WFA	14.5-22.0	1.15	2	3/6/10/20/30	R180	WR51	FBP/FBM/FB	Al/Cu
DH-220WFA	17.6-26.7	1.20	2	3/6/10/20/30	R220	WR42	FBP/FBM/FB	Al/Cu
DH-260WFA	21.7-33.0	1.20	2	3/6/10/20/30	R260	WR34	FBP/FBM/FB	Al/Cu
DH-320WFA	26.3-40.0	1.20	2	3/6/10/20/30	R320	WR28	FBP/FBM/FB	Al/Cu

*Indicates Model Number. See Ordering Information for complete part number.

** Nominal Attenuation Accuracy: $\pm 0.5\text{dB}$ Frequency Sensitivity: $\pm 0.7\text{dB}$

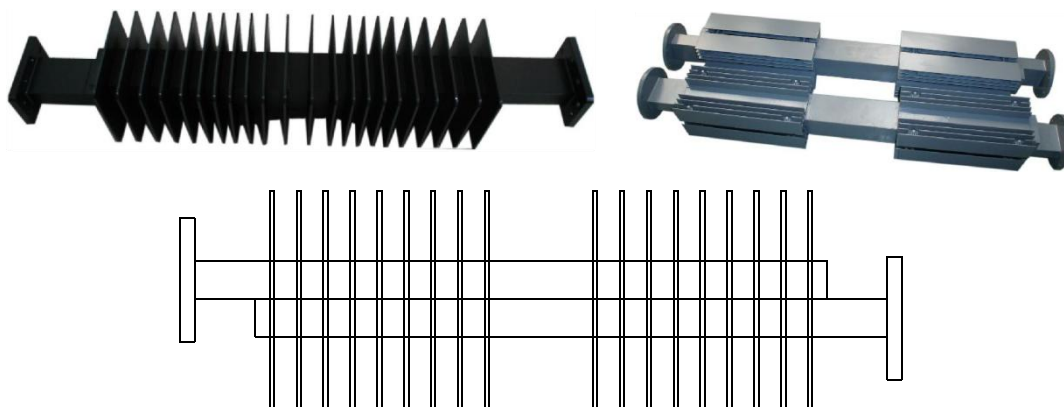
● Ordering Information

Example Part No: **DH- 100 WHPL 300 M A**



- Flange type: Multiple types available - see Dolph Microwave Flanges page
- Finish: Corrosion protection plus black/grey top coat

➤ Waveguide High Power Fixed Attenuator



● Specifications

Model No*	Freq Range (GHz)	VSWR (Max)	Power (W)	Attenuation** (dB)	WG Type		Flange	Material
					IEC	EIA		
DH-48WHPFA...	5.4-5.9	1.25		10/20	R48	WR187	FDP/FDM	Al/Cu
DH-70WHPFA...	5.85-7.025	1.20		55	R70	WR137	FDP/FDM	Al/Cu

DH-100WHPFA	8.5-9.6	1.10		10	R100	WR90	FBP/FBM/FB	Al/Cu
DH-120WHPFA	9.84-15.0	1.15		10/20/30	R120	WR75	FBP/FBM/FB	Al/Cu
DH-140WHPFA	14.5-15.5	1.25		40	R140	WR62	FBP/FBM/FB	Al/Cu
DH-320WHPFA	26.3-40.0	1.25		10	R320	WR28	FBP/FBM/FB	Al/Cu

*Indicates Model Number. See Ordering Information for complete part number.

** Nominal Attenuation Accuracy: $\pm 0.5\text{dB}$ Frequency Sensitivity: $\pm 0.7\text{dB}$

● Ordering Information

Example Part No: **DH- 100 WHPFA 30 P M A 250**



- Flange type: Multiple types available - see Dolph Microwave Flanges page
- Finish: Corrosion protection plus black top coat